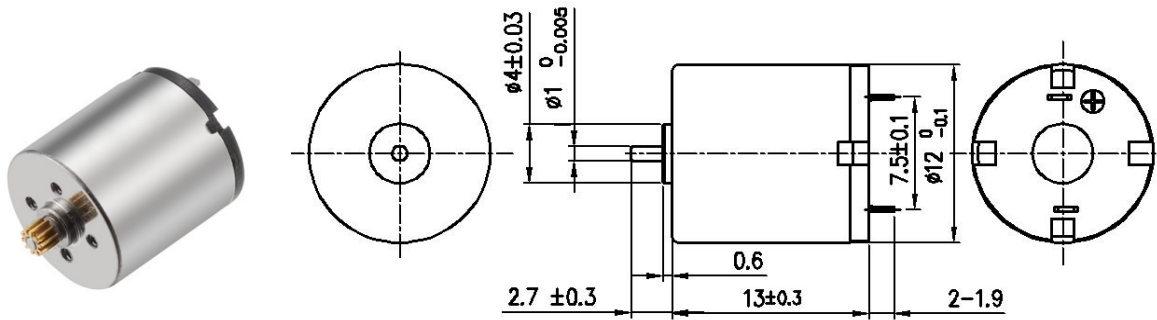


# 1213R Coreless Brush Motor

Coreless Brush Motors



Typical Applications: RC servo. Robot toy. Aircraft model

电机参数 (Motor data)		03A	02A	01A		
额定电压下数值 (Values at nominal voltage)						
1 额定电压 (Nominal voltage)	V	7.4	7.4	7.4		
2 空载转速 (No load speed)	rpm	17500	22000	18800		
3 空载电流 (No load current)	mA	30	40	30		
4 额定转速 (Nominal speed)	rpm	14960	18810	15040		
5 额定转矩 (最大连续转矩) (Nominal torque)	mNm	0.3	0.3	0.3		
6 额定电流 (最大连续电流) (Nominal current)	A	0.1	0.128	0.11		
7 堵转转矩 (Stall torque)	mNm	1.98	2	1.4		
8 堵转电流 (Stall current)	A	0.52	0.65	0.41		
9 最大效率 (Max efficiency)	%	65	64	58		
电机常数 (Motor constant)						
10 相间电阻 (Terminal resistance)	$\Omega$	14.2	11.38	18.2		
11 转矩常数 (Torque constant)	mNm/A	3.96	3.15	3.68		
12 速度常数 (Speed constant)	rpm/V	2365	2973	2541		

## 其他特性参数 Other characteristic parameters

- 13 环境温度范围 (Ambient temperature) -10~40°C
- 14 绕组最高允许温度 (Max permissible winding temperature) 80°C
- 15 最高允许转速 (Max permissible speed) 30000rpm
- 16 电极磁极对数 (Number of the pole pairs) 1
- 17 换向器片数 (Number of the commutator segments) 5
- 18 电机质量 (Weight) 5.8g

## 3A电机曲线图 motor curve

